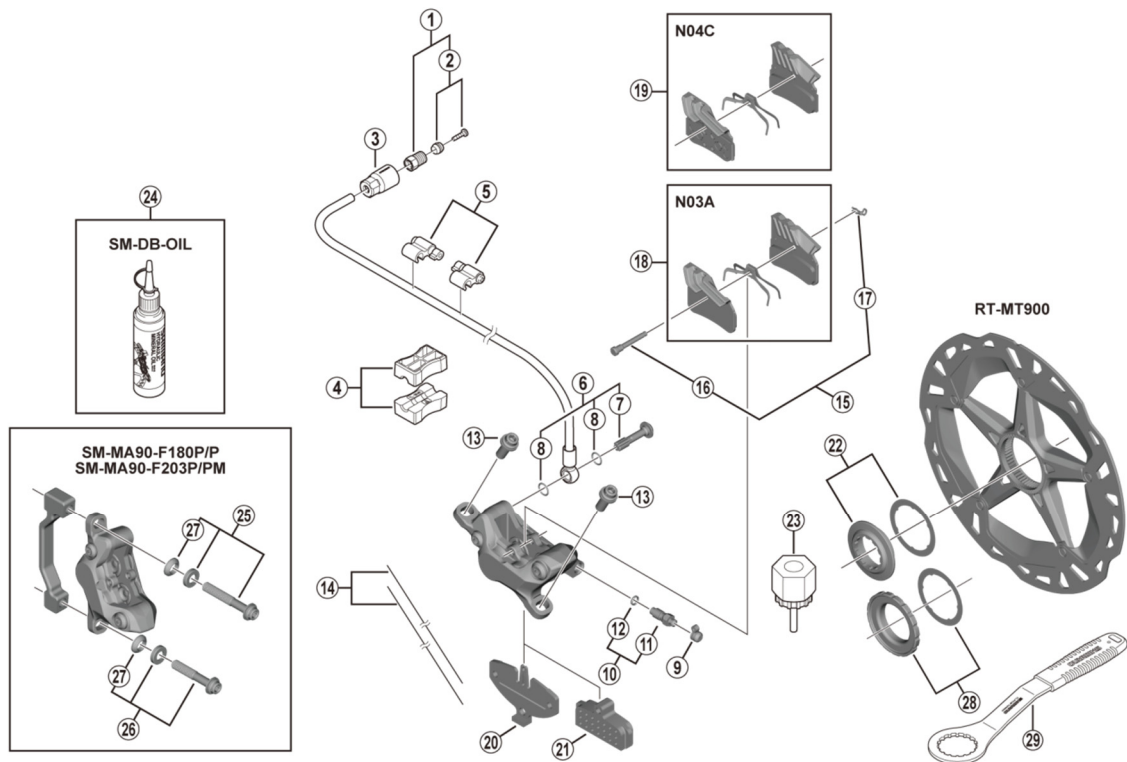


XTR Disc Brake
BR-M9120 Brake Caliper
RT-MT900 Disc Rotor

SM-BH90-SBM Brake Hose



ITEM NO.	SHIMANO CODE NO.	DESCRIPTION
1	Y8JA98010	Flare nut unit
2	Y8JA98020	Olive and connector insert
3	Y1XJ16000	Cover
4	Y8H198030	TL-BH61 Shimano original tool (2 pcs.)
5	Y83098040	SM-HANG Hose supporter A and B
6	Y1XD98030	Banjo screw and O-ring
7	Y8JA00010	Banjo screw
8	Y8SY28000	O-ring
9	Y8B214000	Bleed nipple cap
10	Y8CL98050	Bleed nipple and seal ring
11	Y8CL24200	Bleed nipple
12	Y8B511001	O-ring for bleed nipple
13	Y8LF08000	Caliper fixing screw (M6 x 14.6)
14	Y8B298010	Wire (2 pcs.)
15	Y8J798060	Pad axle and snap retainer
16	Y8J710000	Pad axle
17	Y8J716000	Snap retainer
*	EBPN03ARFA Y1XD98010	N03A Resin pad with fin and spring (pair)
*	IBPN04CMFA Y1XD98020	N04C Metal pad with fin and spring (pair)
20	Y8FF18000	Pad spacer
21	Y8FF19000	Bleeding spacer
22	Y8K198010	Lock ring and washer
23	Y12009230	TL-LR15 Lock ring removal tool
24	Y83998020	Mineral oil (100 ml)
	Y83998030	Mineral oil (500 ml)
25	Y8LF98040	Caliper fixing screw unit (M6 x 36.3) for SM-MA90-F180P/P
	Y8JB98010	Caliper fixing screw unit (M6 x 38.6) for SM-MA90-F203P/PM
26	Y8LF98050	Caliper fixing screw unit (M6 x 30.5) for SM-MA90-F180P/P
	Y8JB98020	Caliper fixing screw unit (M6 x 32.8) for SM-MA90-F203P/PM
27	Y8LF12000	R-washer A
28	Y26L98030	Lock ring and washer (externally serrated type)
29	Y13098000	TL-FC36 Lock ring removal tool

Jul.-2022-4375C
 © Shimano Inc. I

Specifications are subject to change without notice.

SHIMANO