

LOOK



KEO BLADE
CARBON

KEO BLADE
CARBON

MADE FOR SUCCESS





HISTORY

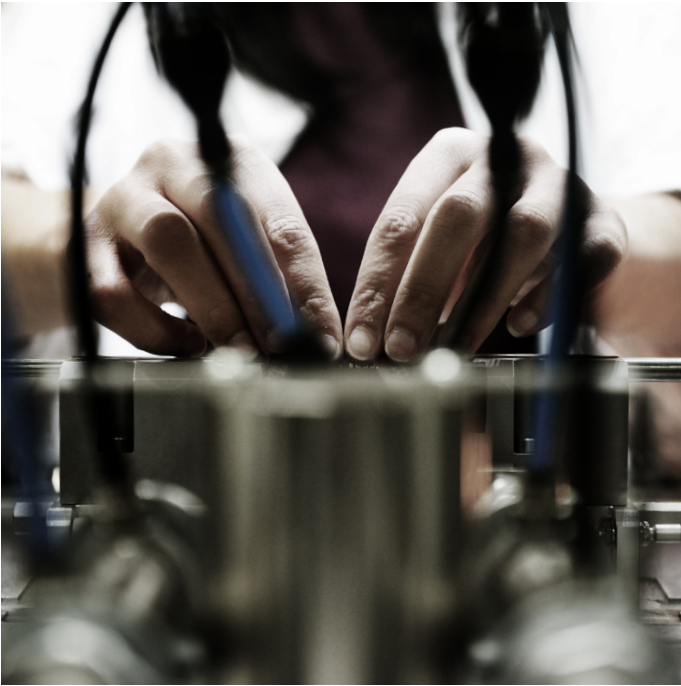
LOOK, CREATOR AND INVENTOR OF THE FIRST CLIPLESS PEDAL.

Since 1984, when LOOK invented the first clipless pedal, the PP65, with which Bernard Hinault won the 1985 Tour de France, LOOK has constantly innovated to design and propose to all cyclists, whatever their level of experience, a powerful, reliable and lightweight clipless pedal. For more than 30 years, in the heart of its manufacturing facility, LOOK has been designing, developing, and manufacturing the pedals of the future. This new KEO BLADE CARBON conveys all the know-how and expertise of LOOK's engineers and teams in this field. It benefits from the famous carbon blade technology invented by LOOK in 2010, a revolutionary technology that replaced traditional metal spring-loaded pedals. LOOK has concentrated all its human know-how, skill and available technology to propose this new exceptional product to you so you may live unique experiences.



KEO BLADE

CARBON





A TALE OF CHAMPIONS

The KEO BLADE CARBON is the unanimous choice of many champions who have made it a formidable weapon in the conquest of their greatest achievements. The Rainbow Jersey, victory in the Grand Tours, breakaways in the Spring Classics, the titles won in recent years are numerous and mark the advent of this BLADE technology at the highest level of competition.



17 UCI WORLDTOUR AND CONTINENTAL TEAMS



OPTI- MIZA- TION



KEO BLADE

CARBON

*THE NEW KEO BLADE CARBON IS THE ONLY LINK TO YOUR MACHINE
THROUGH WHICH ALL OF THE ENERGY YOU PRODUCE IS TRANSMITTED.*



CARBON BLADE AND BODY

The carbon blade, incorporated directly into the pedal body, takes the shape of the spindle when flexed, and thus replaces traditional metal springs usually found in conventional pedals. LOOK's unique savoir-faire and immense expertise in carbon production are fully conveyed during the fabrication of the blade.

In fact, each of the tensions (12, 16 or 20) is obtained thanks to an exclusive carbon composition. By playing with various fiber types (mainly those of high and average resistance), their distribution and orientation, which are more-or-less unidirectional within the mold, different rigidities can be obtained. The result is a potent mixture designed to target the desired ratio of the blade's mechanical strength and flexibility.

BLADE technology is a significant technical innovation in the history of the clipless pedal because of its many benefits:

WEIGHT SAVINGS

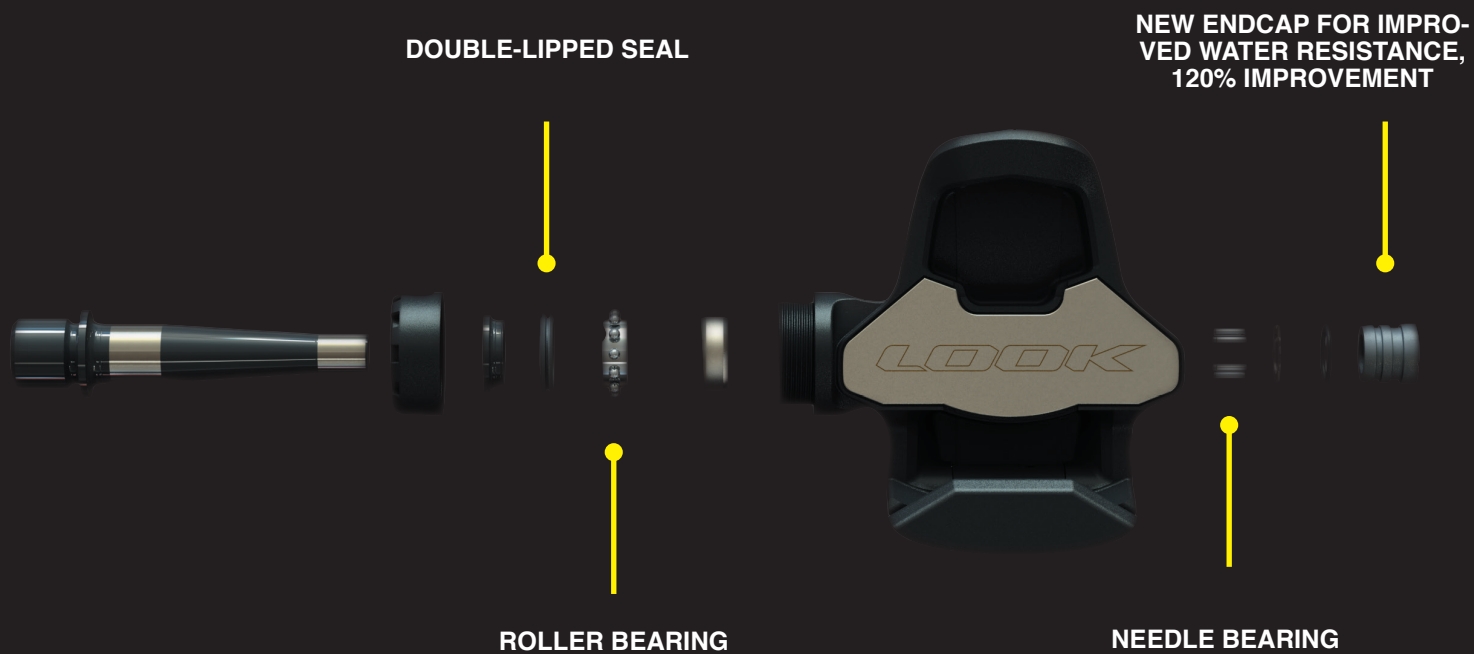
The carbon blade system is 40% lighter than its traditional metal spring equivalent. It therefore allows a significant reduction in the weight of the complete pedal, only 93g for the BLADE CARBON Ti, making it one of the lightest pedals on the market.

AERO

Placed at the heart of the pedal, the blade provides excellent weight distribution and gives it an aerodynamic shape. This shape has been wind-tunnel tested to save a few precious watts that will give you the essential edge you need to win.

ULTRA-SECURE WHEN CLIPPING IN AND OUT

The flex of the blade creates a firmer foot hold once clipped in, and a faster ejection, for increased responsiveness and security, when clipping out.

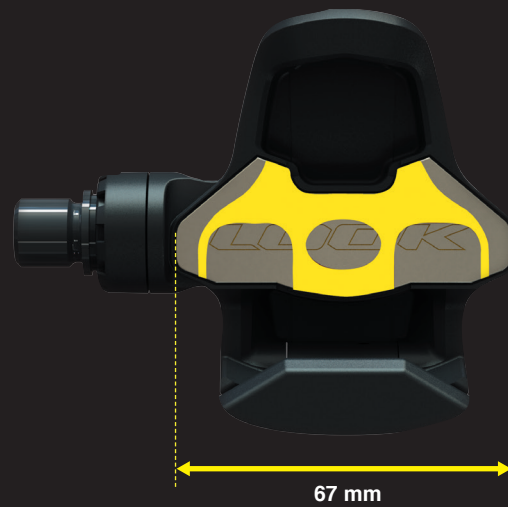


OPTIMIZED SPINDLE

The spindle of the new CARBON BLADE has been completely redesigned. It is built around an oversized axle and spindle that pass through internal roller and needle bearings located directly under the pedal platform. This provides exceptional fluidity and optimal weight distribution during effort.

The distance between the roller and needle bearings has been increased by 25%. This provides even more rigidity to the entire length of the spindle, and as a consequence, improved power transmission.

Special attention has also been given to ensure that it is water resistant. Weather resistance has been improved by 120% for even more reliability and longevity. To accomplish this, the new spindle received an updated endplug with an o-ring washer and has also been equipped with an internal, double-lipped seal.



ULTRA-POWERFUL PLATFORM

The platform of the CARBON BLADE is fitted with a 67mm-wide stainless steel plate. Optimizing the cleat/pedal contact areas, regardless of the pedaling angle.

With 700 mm² of surface area, the CARBON BLADE offers an optimized contact platform for an efficiency and power transfer that is unmatched on today's market.

Its power / weight ratio positions it well above the competition.

KNOW THAT

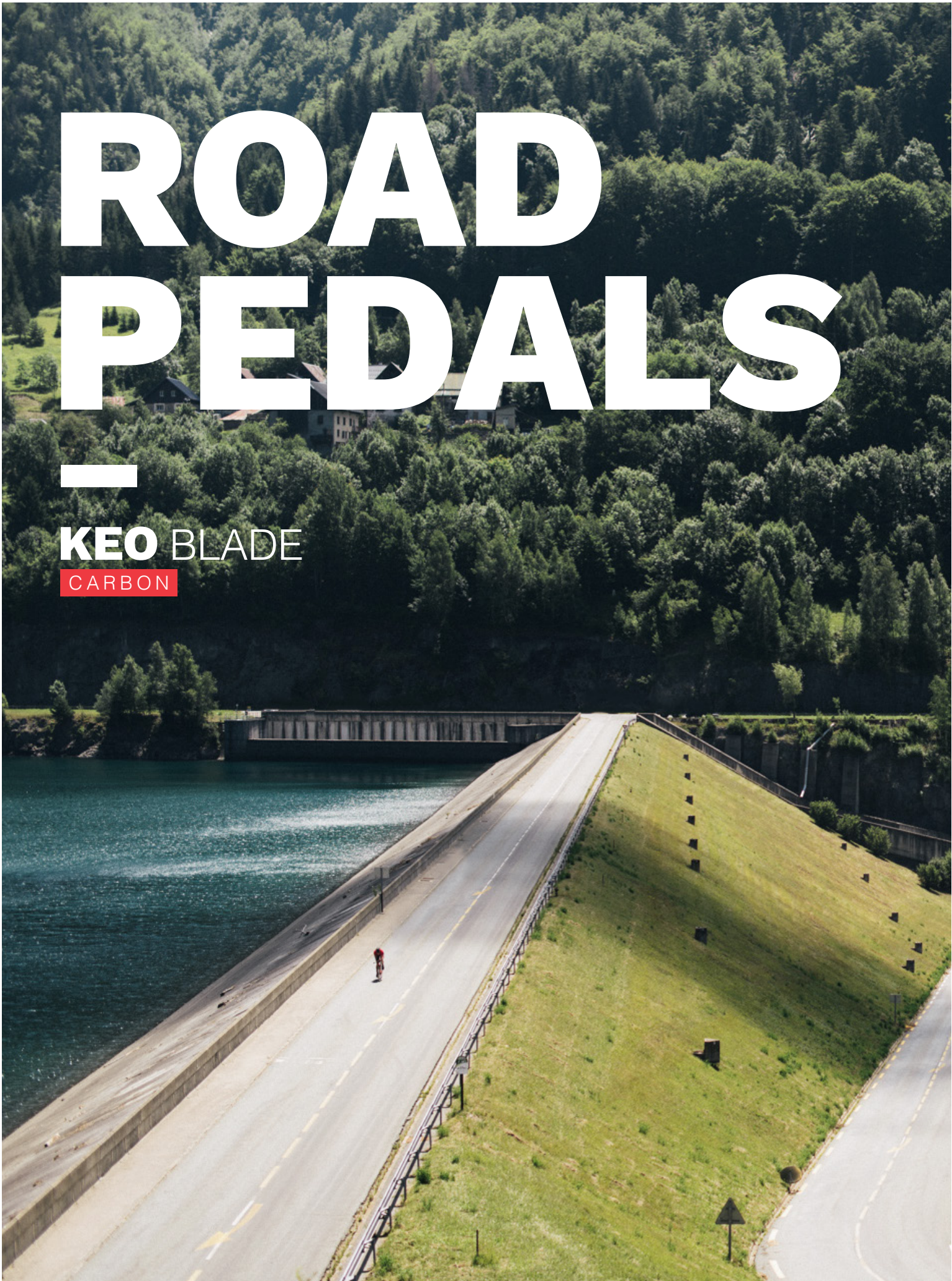
LOOK axles are only approved after a rotational test of 2 million cycles at 100 rt/min with a load of 90 kg on the center of the pedal and an eccentric rotation (which creates stress on each revolution). This is equivalent to a sprint by André GREIPEL of 1700 watts at 100 rpm/min for 333 hours! This test is much more demanding than the current standard, the EN14781.

ROAD PEDALS

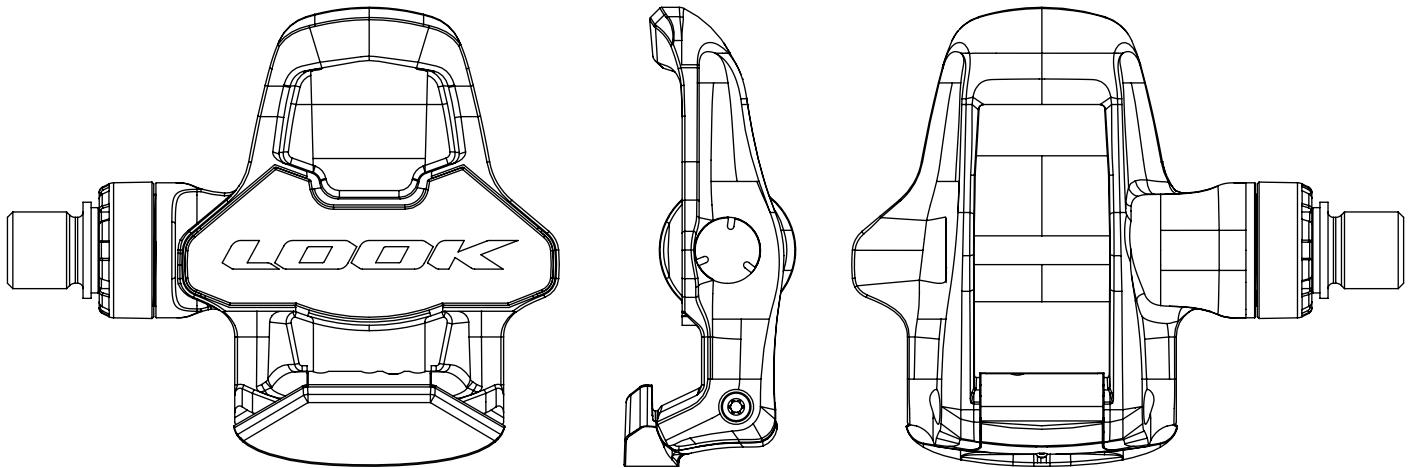


KEO BLADE

CARBON







EXPERTISE

Designed to win, the new KEO BLADE CARBON improves the experience associated with the use of blade technology in a clipless pedal. This new version is the result of experience gained during years of development in the heart of our manufacturing facility and to continual improvements made thanks to the daily input from the greatest of champions. **Lightweight, aerodynamic, powerful**, the new KEO BLADE CARBON has all the assets to allow you to improve and optimize your performance until victory is yours.



André GREIPEL
DE | LOTTO SOUDAL

«Uncertainty is my enemy because victory is a matter of details. I like being in control of each variable, and that's why I choose the KEO BLADE CARBON. I have absolute confidence in them when sprinting. And thanks to them, I know that every watt that I produce is efficiently transmitted and brings me one step closer to victory.»

THE CHAMPIONS WHO HAVE CHOSEN THE KEO BLADE CARBON



Nairo QUINTANA
CO | MOVISTAR



Fabio ARU
IT | ASTANA



Romain BARDET
FR | AG2R LA MONDIALE



**PRESS CONTACT
LOOK CYCLE INTERNATIONAL**

27 Rue du Docteur Léveillé - CS90013
58028 NEVERS CEDEX

Tél: +33 3-86-71-63-00
Fax: +33 3-86-71-63-10

Audrey Sogny
asogny@lookcycle.fr

Alberto Fumagalli
afumagalli@lookcycle.it

RE- MIN- DER

—

HIGHLIGHTS

KEO BLADE

CARBON

- + *Best power to weight ratio in the road pedal category.*
- + *Extremely lightweight: only 95g for the titanium version.*
- + *700 mm² of platform surface for optimal power transfer.*
- + *Aerodynamic shape thanks to the integration of the carbon blade.*

#RIDEYOURDREAM

lookcycle.com