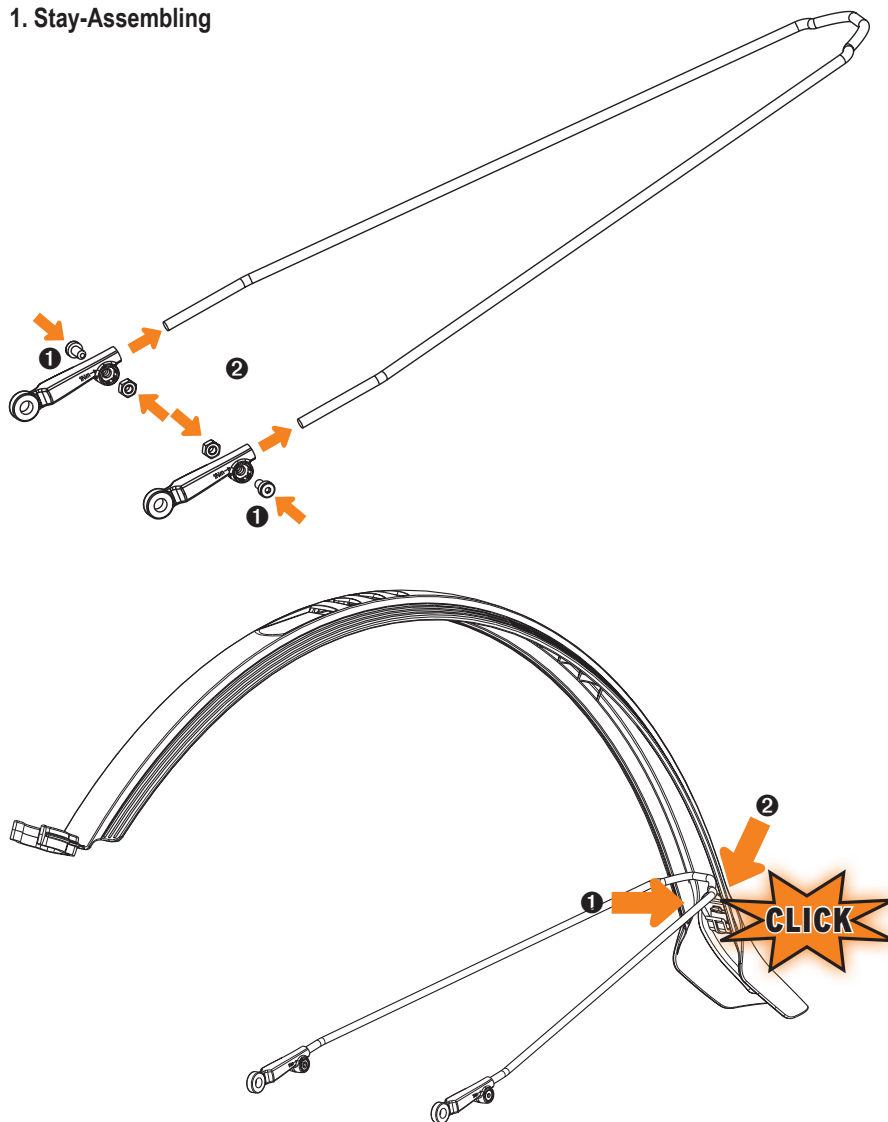
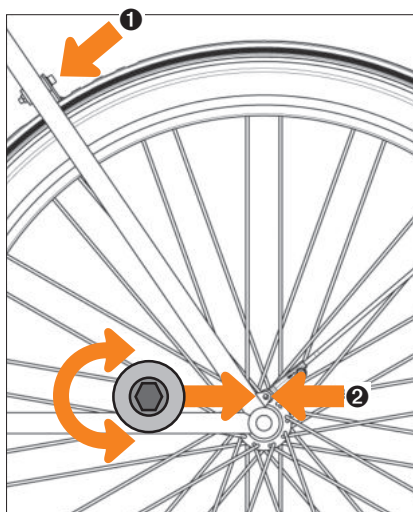


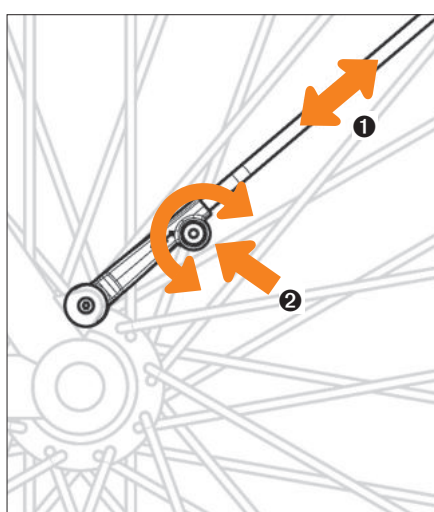
1. Stay-Assembling



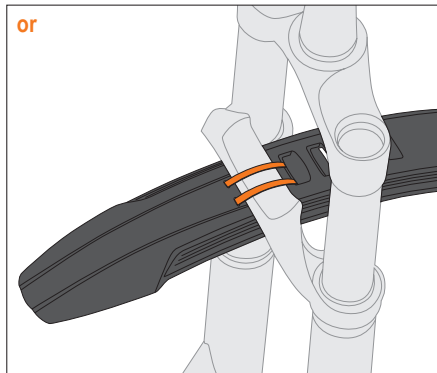
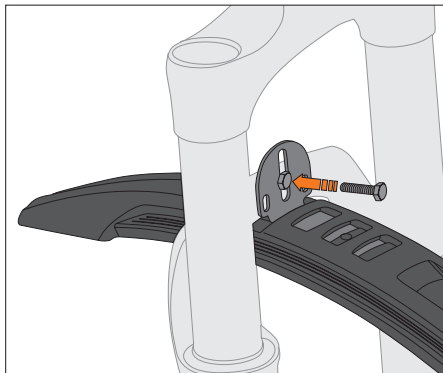
2. Frame-Assembling



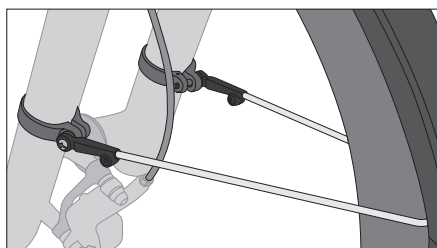
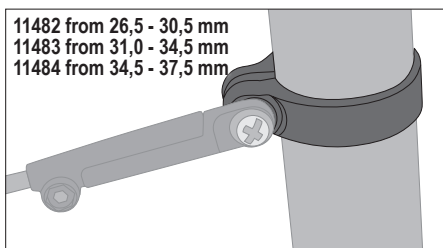
3. Length-Adjustment



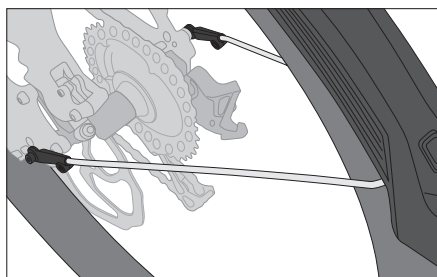
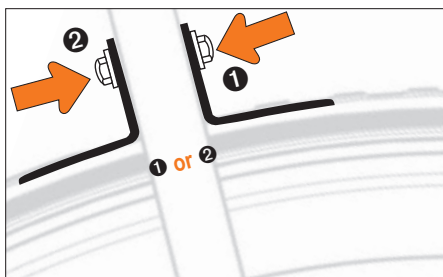
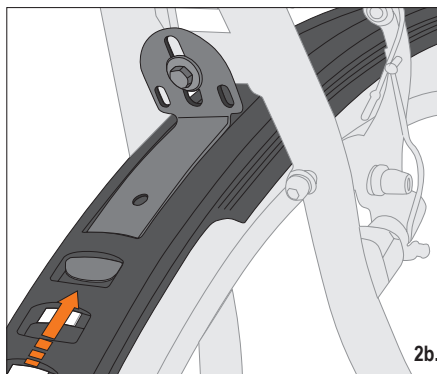
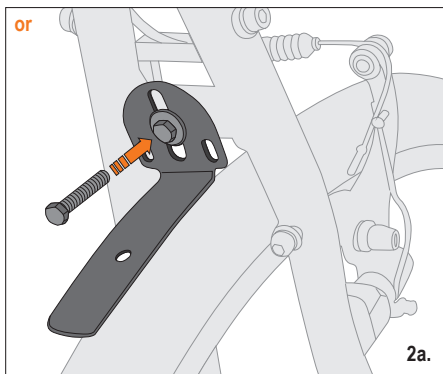
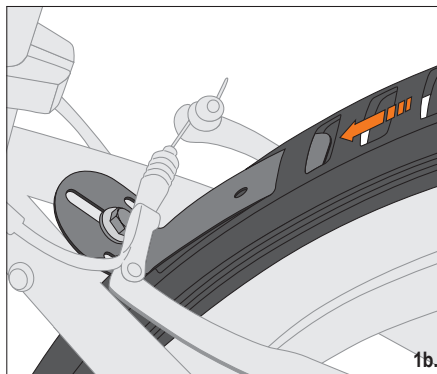
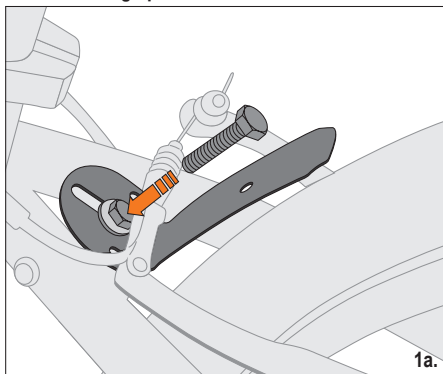
2. Frame-fitting options front



Clamps for stays | optional available

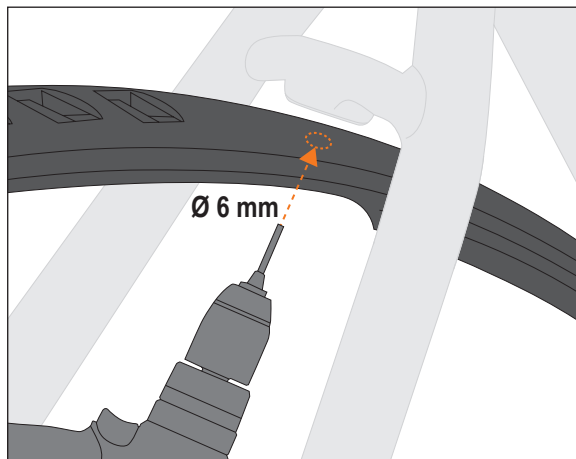


3. Frame-fitting options rear

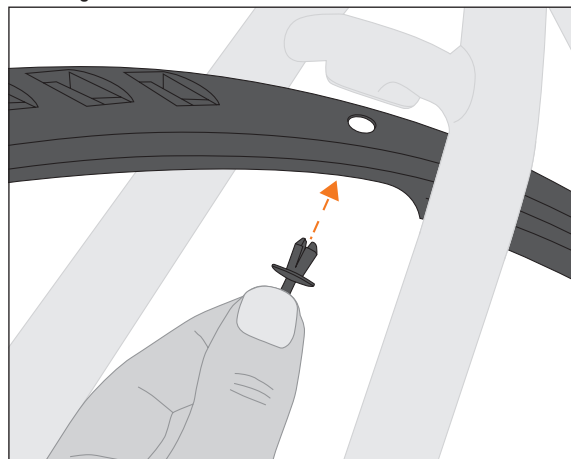


3.2. Frame-assembling without bracket

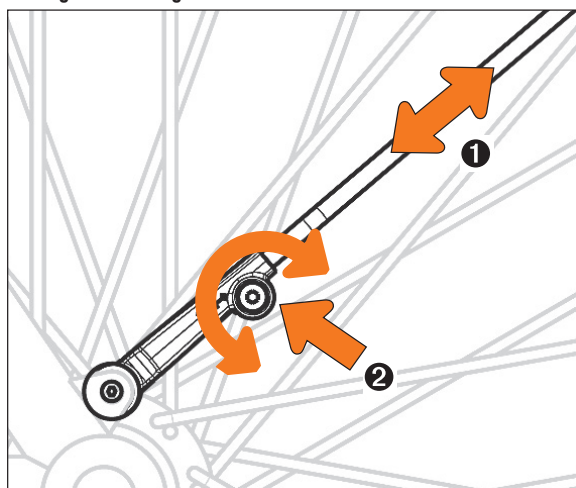
3.2.1 Drill a hole



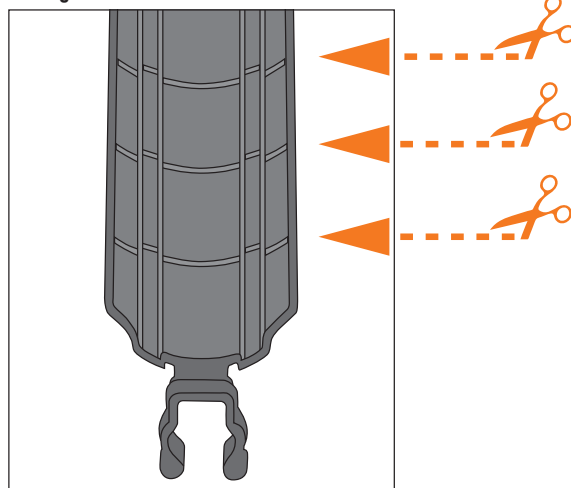
3.2.2 Plug in



4. Längeneinstellung Strebe vorne + hinten



Cutting lines*



*Only suitable for VELO 65 series

Frameclip *

